



# YOSHIMURA

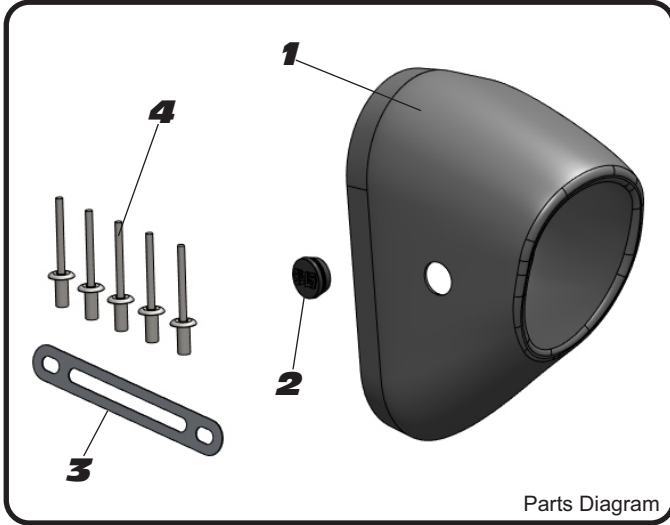
RESEARCH&DEVELOPMENT OF AMERICA, INC.

5420 DANIELS STREET SUITE A, CHINO, CA 91710 · (800) 634-9166 · (909) 628-4722 · FAX (909) 591-2198

[www.yoshimura-rd.com](http://www.yoshimura-rd.com)

**R55-CFR-BK**

**R-55 Carbon Fiber Endcap Kit, Flared**



NO.	DESCRIPTION	QTY	PART #
1	R-55 CF Endcap, Flared	1	R55-CFEC-B
2	R-55 Rivet Band	1	RB003
3	Insert Hole Grommet	1	GRMT
4	SS Rivet	5	C3-RIVET

\*\*Use 3/16" drill bit to drill out rivets.



# YOSHIMURA

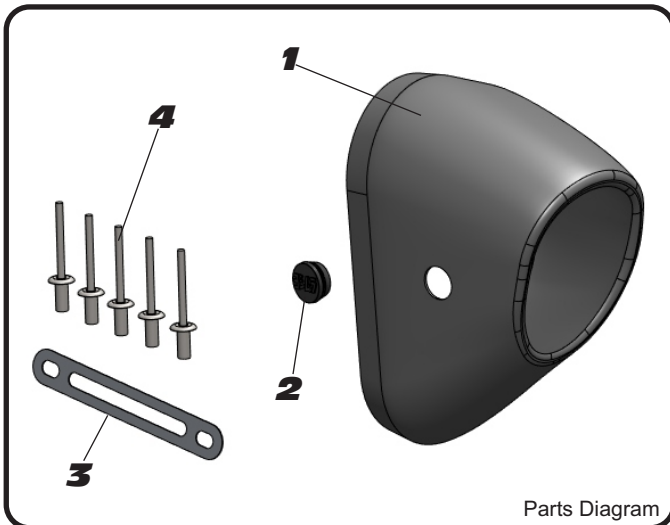
RESEARCH&DEVELOPMENT OF AMERICA, INC.

5420 DANIELS STREET SUITE A, CHINO, CA 91710 · (800) 634-9166 · (909) 628-4722 · FAX (909) 591-2198

[www.yoshimura-rd.com](http://www.yoshimura-rd.com)

**R55-CFR-BK**

**R-55 Carbon Fiber Endcap Kit, Flared**



NO.	DESCRIPTION	QTY	PART #
1	R-55 CF Endcap, Flared	1	R55-CFEC-B
2	R-55 Rivet Band	1	RB003
3	Insert Hole Grommet	1	GRMT
4	SS Rivet	5	C3-RIVET

\*\*Use 3/16" drill bit to drill out rivets.