



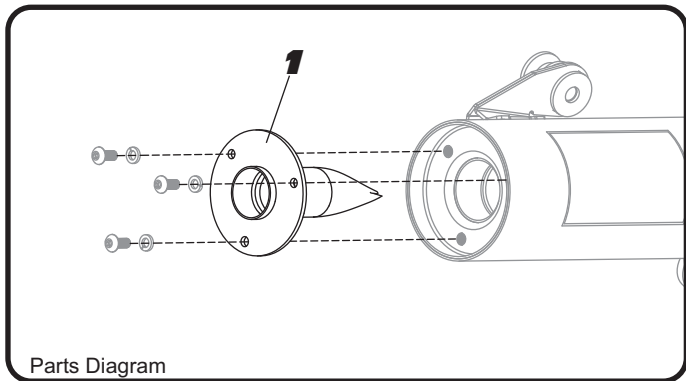
# YOSHIMURA

RESEARCH&DEVELOPMENT OF AMERICA, INC.

5420 DANIELS STREET SUITE A, CHINO, CA 91710 · (800) 634-9166 · (909) 628-4722 · FAX (909) 591-2198

[www.yoshimura-rd.com](http://www.yoshimura-rd.com)

**SA-22-K | YOSHIMURA SPARK ARRESTOR KIT**



Parts Diagram

NO.	DESCRIPTION	QTY	PART #
1	RSCV Spark Arrestor	1	SA-12160

1. Remove the three screws and lock washers from muffler.
2. Install spark arrestor into muffler and secure using the three screws.

*It is recommended to clean and inspect spark arrestors every 60 hours of use. Using a wire brush, remove carbon deposits from spark arrestor screen. Inspect the screen for excessive wear or damage. Replace if excessively worn or damaged.*



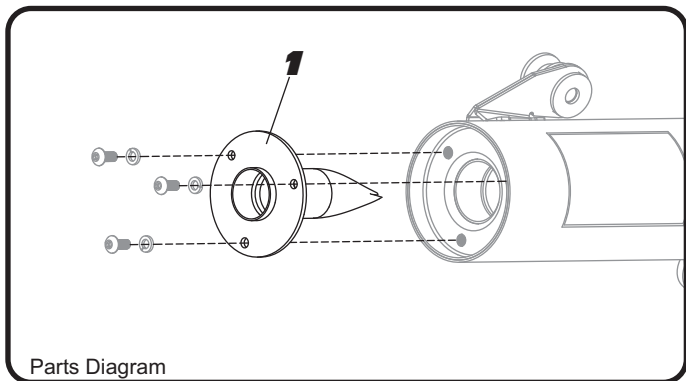
# YOSHIMURA

RESEARCH&DEVELOPMENT OF AMERICA, INC.

5420 DANIELS STREET SUITE A, CHINO, CA 91710 · (800) 634-9166 · (909) 628-4722 · FAX (909) 591-2198

[www.yoshimura-rd.com](http://www.yoshimura-rd.com)

**SA-22-K | YOSHIMURA SPARK ARRESTOR KIT**



Parts Diagram

NO.	DESCRIPTION	QTY	PART #
1	RSCV Spark Arrestor	1	SA-12160

1. Remove the three screws and lock washers from muffler.
2. Install spark arrestor into muffler and secure using the three screws.

*It is recommended to clean and inspect spark arrestors every 60 hours of use. Using a wire brush, remove carbon deposits from spark arrestor screen. Inspect the screen for excessive wear or damage. Replace if excessively worn or damaged.*