



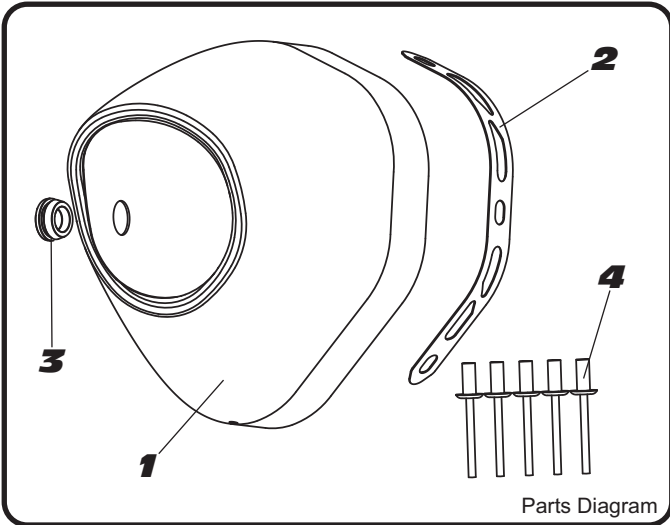
YOSHIMURA

RESEARCH&DEVELOPMENT OF AMERICA, INC.

5420 DANIELS STREET SUITE A, CHINO, CA 91710 · (800) 634-9166 · (909) 628-4722 · FAX (909) 591-2198

www.yoshimura-rd.com

YM7-CFR-01-K | R-77 Carbon Fiber Endcap Kit



NO.	DESCRIPTION	QTY	PART #
1	R-77 CF Endcap	1	YM7-CFR-01
2	R-77 Rivet Band	1	RB004
3	Insert Hole Grommet	1	GRMT
4	SS Rivet	5	C3-RIVET



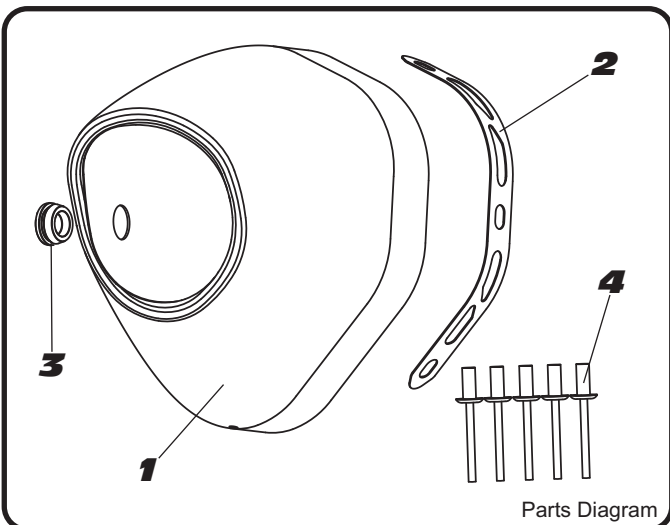
YOSHIMURA

RESEARCH&DEVELOPMENT OF AMERICA, INC.

5420 DANIELS STREET SUITE A, CHINO, CA 91710 · (800) 634-9166 · (909) 628-4722 · FAX (909) 591-2198

www.yoshimura-rd.com

YM7-CFR-01-K | R-77 Carbon Fiber Endcap Kit



NO.	DESCRIPTION	QTY	PART #
1	R-77 CF Endcap	1	YM7-CFR-01
2	R-77 Rivet Band	1	RB004
3	Insert Hole Grommet	1	GRMT
4	SS Rivet	5	C3-RIVET