



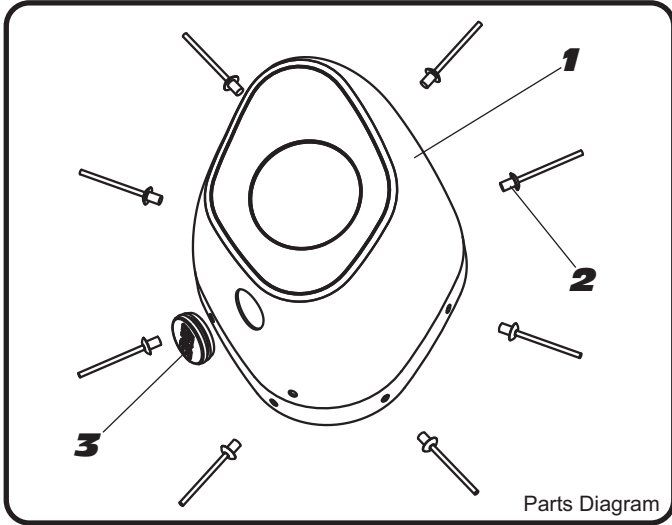
YOSHIMURA

RESEARCH&DEVELOPMENT OF AMERICA, INC.

5420 DANIELS STREET SUITE A, CHINO, CA 91710 · (800) 634-9166 · (909) 628-4722 · FAX (909) 591-2198

www.yoshimura-rd.com

YM9-CFC-R-1-K-1 | RS-9 Carbon Fiber Endcap Kit, Right



NO.	DESCRIPTION	QTY	PART #
1	RS-9 CF Endcap, Right	1	YM9-CFC-R-01
2	Black Endcap Rivet	8	N-RIVETMG-BLK
3	Insert Hole Grommet	1	GRMT-RS9

**Use 1/8" drill bit to drill out rivets.



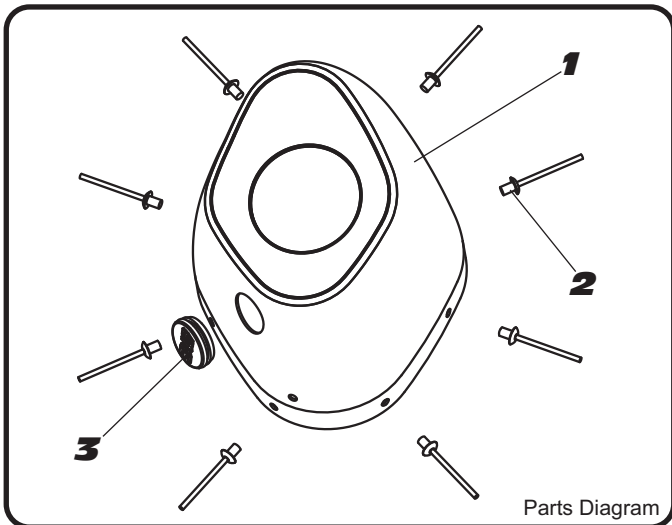
YOSHIMURA

RESEARCH&DEVELOPMENT OF AMERICA, INC.

5420 DANIELS STREET SUITE A, CHINO, CA 91710 · (800) 634-9166 · (909) 628-4722 · FAX (909) 591-2198

www.yoshimura-rd.com

YM9-CFC-R-1-K-1 | RS-9 Carbon Fiber Endcap Kit, Right



NO.	DESCRIPTION	QTY	PART #
1	RS-9 CF Endcap, Right	1	YM9-CFC-R-01
2	Black Endcap Rivet	8	N-RIVETMG-BLK
3	Insert Hole Grommet	1	GRMT-RS9

**Use 1/8" drill bit to drill out rivets.